

**ABCO Small Column Change Table**



ABCO Health Care’s Small Column Change table is designed and manufactured in Australia for use in schools, disabled accommodation, sports & special needs facilities and in other locations where clients need help with toileting or changing.

By using twin columns, we can offer a sturdy structure with no length-wise movement while adjusting height and the clear space between the base and top of the table improves safety by removing the typical 'swing-arm' construction of many such tables giving you peace of mind about potential crush injuries

With interchangeable tops, the table size can be increased as the user grows and optional padded cot sides can be easily added or removed at any stage.

With a minimum height of less than 500mm clients can transfer to the change table independently, from a wheel chair or with a hoist [there is 155mm clearance below the frame for hoist clearance]. Carers can adjust the working height to the best level for them [up to 950mm] using the foot control.

Accessory generously upholstered cot sides and cot ends can also be fitted for extra client security

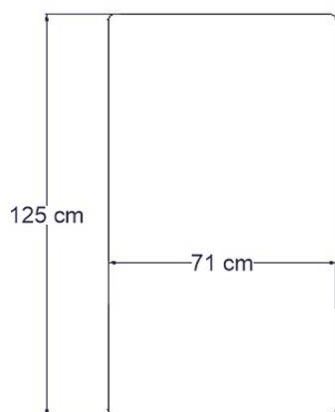
The four individually braked wheels make moving the table easy without compromising stability in use. One wheel has a directional locking brake to help control the table when moving.

There is no Australian GST payable on Change Tables.

Product Code: **CJ00.07021.C0000F.00CP0**

<b>Standard Configuration</b>	<b>Factory Fitted Options</b>
710mm wide Upholstery	800mm
1250mm long top	1500mm long top
	1930mm long top
Wedgewood Upholstery	Other vinyl colours
Foot control	Hand control
	Add Battery
	Add Upholstered Cot Side [per side]
	Add Upholstered Cot End [per end]
	Strap Bar [included with Cot Sides][per side]
	Patient Strap [Also order Cot side[s] and/or Strap bar[s]]

<b>Detailed Standard Specification</b>		
Couch Dimensions	Overall Length	1250mm
	Width	710mm
Upholstery	Fabric	Vinyl – Medical grade heavy duty vinyl fabric. Formulated to inhibit hardening and breakdown of the PVC surface due to perspiration and oils. Light fast, fire retardant, sanitised and stain resistant.
	Foam	38mm high density foam rolled over the edges of the strong plywood base covered with 12mm of soft foam for enhanced comfort while providing a full working width and extended life.
Frame	Colours	Wedgewood. Other colours on request
	Materials	Heavy steel plate and tube
	Colour	Light Grey
	Wheel System	125mm braked castors providing 155mm clearance below the frame for patient hoist access.
Height adjustment	Range	470 – 870mm
	Lift mechanism	Twin column for extra strength and safety with no longitudinal shift as height adjusts
	Lift operation	Linak brand European electric columns
	Control	Foot control
Electrical Requirements		Medically approved to AS 3200 / EN60601 - 1
	Supply	230vAC $\pm 10^\circ$ , 50hz max 1.5amp
	Operation	24vDC max 70VA
Lifting Capacity		300kg
Weight		80kg
Shipping Dimensions		130 x 80 x 60cm / 95kg. Shrink-wrapped on a wooden pallet with bubble wrap
ARTG No		123753
Warranty		5 years, parts only



Height Range 47 - 87cm

ABCO Health Care is a specialist manufacturer of electrically operated couches, tables and chairs for health care applications.

This brochure shows only part of our extensive range. Please visit our web site at [www.abcohc.com.au](http://www.abcohc.com.au)

ABCO Health Care has a policy of continuous improvement. Specifications and prices are subject to change without notice.

**ABCO Health Care Pty Ltd**

A.B.N. 71 073 519 356

Australian Designed, Made and Owned.

CJC00 2311.docx

3 – 7 Discovery Road,  
Dandenong South VIC 3175 Australia  
Phone +61 03 9768 3756  
E-mail: [sales@abcohc.com.au](mailto:sales@abcohc.com.au)