

## ABCO Hylo Chiropractic Table without Drops



The ABCO Hylo Chiropractic Adjusting Table without Drops is designed and manufactured in Australia. Combining both HyLo [tilt] and Elevation [height adjustment] functions, this is a versatile table providing flexibility for your practice.

The twin column structure:

- Provides a much more rigid working surface without 'end-bounce'
- Eliminates lengthwise movement during height adjustment
- Improves the safety of the couch as there are far fewer points where stray fingers or limbs may be caught
- Enhances treatment by moving quickly and quietly as required


Patients of up to 200kg are tilted effortlessly from standing to prone in only 11 seconds while the Elevation adjustment will handle more than 250kg. The foot plate can be moved in to the table end to improve access during treatment



Product Code: **CIYD.05642.C0000F.50NPO**

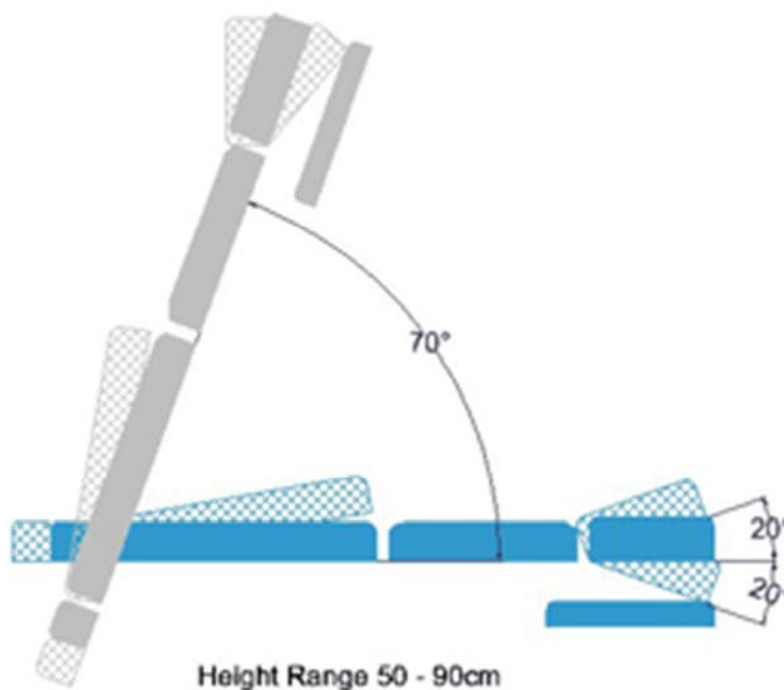
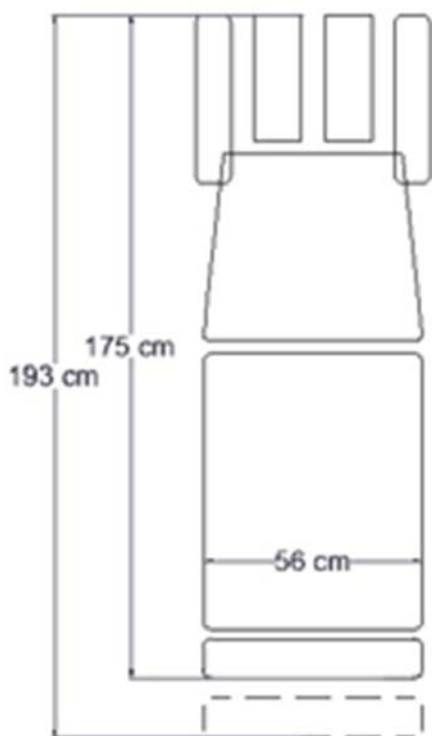
Standard Configuration	Factory Fitted Options
Cervical section $\pm 20^\circ$	Height adjustable / 'toggle' drop
560mm wide	510mm wide
Foot control	Hand control
	Twin foot or hand control
	Add Battery

### Accessories

Gas lift stool upholstered to match your couch		
------------------------------------------------	-------------------------------------------------------------------------------------	--

## Detailed Standard Specification

Table Sections	Cervical Section	320mm long. Adjusts from 15° to -25°
	Dorsal / Lumbar Section	500mm Long
	Pelvic Section	620mm long. Adjusts to 10°
	Leg Extension	100mm long; extends 100mm
	Overall Length	1900mm with leg section extended
	Upholstery angle adjustment	Gas strut assisted
	Table Tilt function	Tilts to 70° in approx. 15 seconds
Upholstery	Fabric	Leather - New Zealand Pigmented heavy commercial grade cattle hide.
	Foam	80mm very high-density foam with 12mm soft foam over
	Standard Upholstery Colours	Black. Other colours on request
Frame	Materials	Heavy steel plate and tube
	Colour	Light grey
	Wheel System	n/a
Height adjustment	Lift Mechanism	Twin column for maximum rigidity in use.
	Lift Operation	Genuine Linak brand electric column system
Electrical requirements		Medically approved according to EN60601-1/ AS3200
	Supply	230 VAC +/-10%, 50Hz max 1.5amp.
	Operation	24 VDC max 70VA
	Control	Foot Control
Maximum lift - height		250 kg
Maximum lift - tilt		180 kg
Table weight		110 kg
Shipping Dimensions	Standard product	1800 x 600 x 650mm / 125kg
		Shrink-wrapped on a wooden pallet with bubble wrap
ARTG No:		123573
Warranty		5 years, parts only



ABCO Health Care is a specialist manufacturer of electrically operated couches, tables and chairs for health care applications.

This brochure shows only part of our extensive range. Please visit our web site at [www.abcohc.com.au](http://www.abcohc.com.au)

ABCO Health Care has a policy of continuous improvement. All specifications and prices are subject to change without notice.

**ABCO Health Care Pty Ltd**

A.B.N. 71 073 519 356

Australian Designed, Made and Owned.

3-7 Discovery Road, Dandenong South  
Victoria 3175, Australia  
Phone +61 03 97683756  
E-mail: [sales@abcohc.com.au](mailto:sales@abcohc.com.au)