

## ABCO Junior Change Table

For use in schools, accommodation, sports & special needs facilities and where younger clients need help with toileting or changing.

ABCO Health Care's Junior Change table is designed and manufactured in Australia with a 5-year warranty

By using twin columns, we can offer a sturdy structure with no lengthwise movement while adjusting height and the clear space between the base and top of the table improves safety by removing the typical 'swing-arm' construction of many such tables giving you peace of mind about potential crush injuries

The top is 1200mm long and this can be extended up to 1600mm using the fold down cot ends.

With a minimum height of less than 500mm clients can transfer to the change table independently, from a wheelchair or with a hoist [there is 155mm clearance below the frame for hoist clearance]. Carers can adjust the working height to the best level for them [up to 900mm] using the foot control.

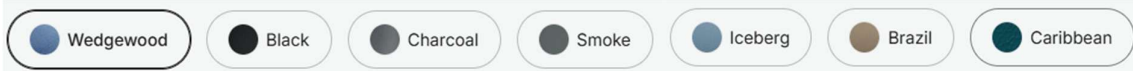
One cot side and two cot ends – both generously upholstered – are fitted as standard for patient security.

The four individually braked wheels make moving the table easy without compromising stability in use. One wheel has a directional locking brake to help control the table when moving.



### Factory Fitted Options

- Choice of upholstery colours







- Increase width to 800mm
- Central locking wheel system



### Add-ons

Useful additions to your table which can be factory installed when ordering or after purchase with minimal DIY required.

			
Upholstered Cot Side	Back up or Removable Battery	Patient Strap	Hand Control or Wireless controls

See full details [here](#) or follow the QR code



## Standard Specifications

SKU: CJ12.07021.C0000F.00CP0

### Dimensions and Adjustment

Height Adjustment Control - Foot control

Height Adjustment Lift Operation - Twin electric column for extra strength and safety with no longitudinal shift as height adjusts

Maximum Lifting Capacity - 300kg Dynamic / 600kg Static

Height Adjustment Range - 490 - 890mm

Overall Length - 1350mm

Overall Upholstery Width - 710mm

### Frame

Frame - 3 Stage Powdercoated Steel

Wheel System - 125mm Thermoplastic heavy duty, lockable castors

### Upholstery

Fabric - Medical grade fabric with Ezyclean. Resistant to Isopropyl Alcohol and bleach based cleaners

Foam - 50mm medium density foam

Colours - 15 Colours available

### Electrical Requirements

Approvals - Medically approved according to EN60601-1/ AS3200

Supply - Domestic 10Amp or equivalent

### General

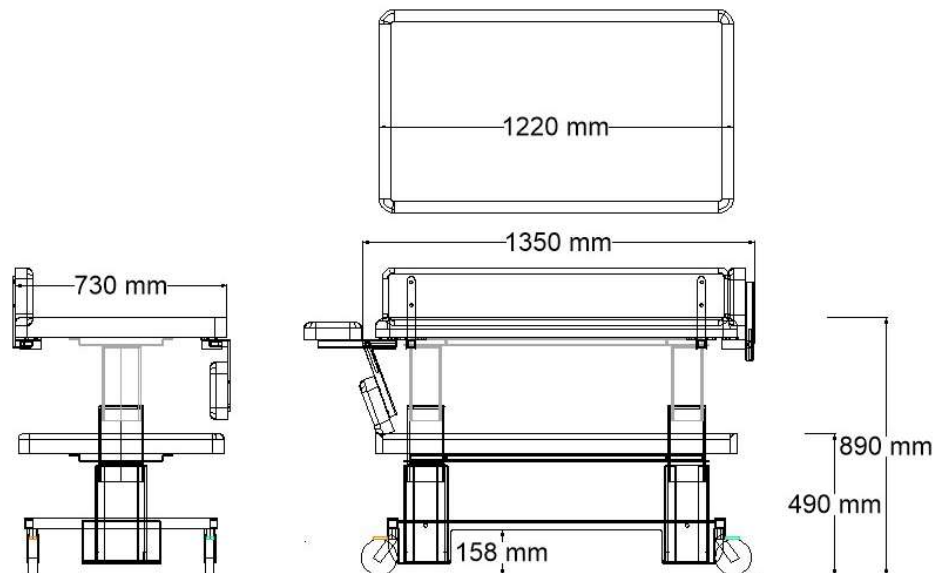
Shipping Dimensions - 147 x 82 x 65mm / 90kg Shrink-wrapped on a Timber pallet

Weight - 80kg

ARTG - 123573

Warranty - 5 years

Conditions of sale available online



ABCO Health Care is a specialist manufacturer of electrically operated couches, tables and chairs for health care applications.

This brochure shows only part of our extensive range. Please visit our web site at [www.abcohc.com.au](http://www.abcohc.com.au)

ABCO Health Care has a policy of continuous improvement. Specifications and prices are subject to change without notice.

**ABCO Health Care Pty Ltd**

A.B.N. 71 073 519 356

Australian Designed, Made and Owned.

CJ12 Junior Change Table 2604.docx

[www.abcohc.com.au](http://www.abcohc.com.au)

3 - 7 Discovery Road,  
Dandenong South VIC 3175 Australia  
Phone +61 03 9768 3756  
E-mail: [sales@abcohc.com.au](mailto:sales@abcohc.com.au)