

## ABCO Cardiac / Ultrasound / Imaging / Vascular Tilt Table



The ABCO Cardiac / Ultrasound / Imaging / Vascular Tilt Table, designed and manufactured in Australia, is a versatile and reliable piece of equipment. Based on the popular Dual Action Tilt Table available since 1997, this table is perfect for a range of procedures, including Cardiology Tilt Table assessments and Vascular Ultrasound.

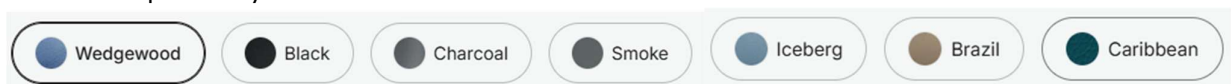
Effortlessly adjusting in height from 570 to 970mm and tilting to 80° at any height, it offers great flexibility. The foot plate can be adjusted to ±30° in 5° steps, ensuring comfort and precision. The twin column lift provides powerful lifting without lengthwise movement during height adjustment, enhancing safety by reducing the risk of hand or limb injuries.

With a lifting capacity of 300kg and a tilting capacity of 200kg, this table is built to handle a wide range of patients. Standard features include a single upholstery section, two tilting speeds, patient straps, angle indicators on both sides, and a battery. Additionally, various options such as a backrest or stronger/faster tilt are available to customize the table to your specific needs.

Experience the thoughtful design and flexibility of the ABCO Cardiac / Ultrasound / Imaging / Vascular Tilt Table, tailored to meet the demands of modern medical procedures.

### Factory Fitted Options

- Choice of upholstery colours



- Increase width to 800mm
- Add backrest
- Increase tilting capacity to 300kg
- Change height range to 520 – 770mm

### Add-ons

Useful additions to your table which can be factory installed when ordering or after purchase with minimal DIY required.

	
Paper Towel Roll Holder	Foot Control and Wireless Controls

See full details [here](#) or follow the QR code



## Standard Specifications

SKU: TD1C0.07021.CEE00H0.005P1

### Dimensions and Adjustment

Height Adjustment Control - Hand control

Height Adjustment Lift Operation - Twin electric column for extra strength and safety with no longitudinal shift as height adjusts

Maximum Lifting Capacity - 300kg Dynamic / 600kg Static

Table Tilt Function - Twin Electric actuator adjustment 0° / +85°

Tilting Capacity - 200kg

Height Adjustment Range - 590 - 990mm

Overall Length - 1965mm

Overall Upholstery Width - 710mm

Upholstery Adjustment

Table Tilts -0° / +85°

Independently adjustable angle twin foot plates [+30° / -30° in 13 steps]

### Frame

Material - 3 Stage Powdercoated Steel

Wheel System - 125mm Thermoplastic heavy duty, lockable castors

### Upholstery

Fabric - Medical grade fabric with Ezyclean. Resistant to Isopropyl Alcohol and bleach based cleaners

Foam - 50mm medium density foam

Colours - 15 Colours available

### Electrical Requirements

Approvals - Medically approved according to EN60601-1/ AS3200

Supply - Domestic 10Amp or equivalent

Battery - Back-up Battery included

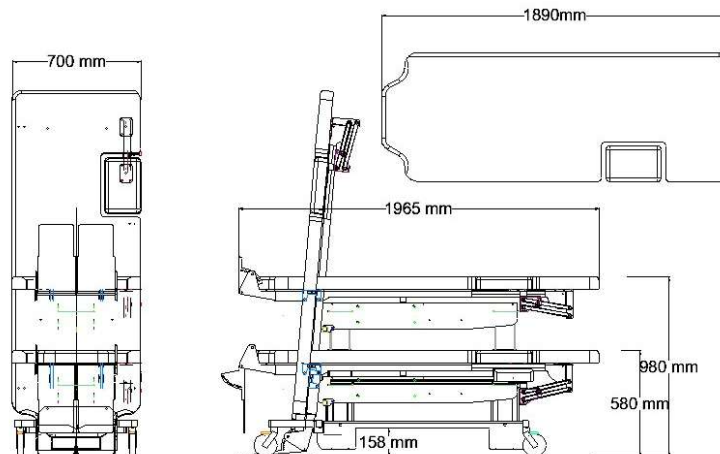
### General

Shipping Dimensions - 197 x 82 x 65cm / 95kg. Shrinkwrapped on a wooden pallet

Weight - 90kg

ARTG - 123573

Warranty - 5 years, parts only



ABCO Health Care is a specialist manufacturer of electrically operated couches, tables and chairs for health care applications.

This brochure shows only part of our extensive range. Please visit our web site at [www.abcohc.com.au](http://www.abcohc.com.au)

ABCO Health Care has a policy of continuous improvement. Specifications and prices are subject to change without notice.

**ABCO Health Care Pty Ltd**

A.B.N. 71 073 519 356

Australian Designed, Made and Owned.

TD1C 2604.docx

3 – 7 Discovery Road,  
Dandenong South VIC 3175 Australia  
Phone +61 03 9768 3756  
E-mail: [sales@abcohc.com.au](mailto:sales@abcohc.com.au)