



ABCO G55 Gynaecology Chair



The ABCO G55 Gynaecology Chair is designed and manufactured in Australia. The G55 is designed for bigger patients and will lift up to 325kg. The fast electric motor quickly adjusts the height from an easily accessed 500mm up to 1050mm. Electric actuators control the seat tilt to 20° and the backrest angle. Fully adjustable foot pads enhance patient comfort. The chair converts into an examination couch using the leg extension [included].

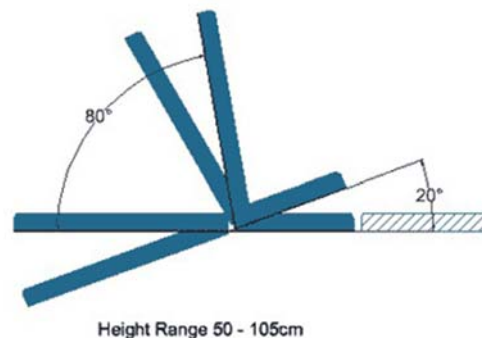
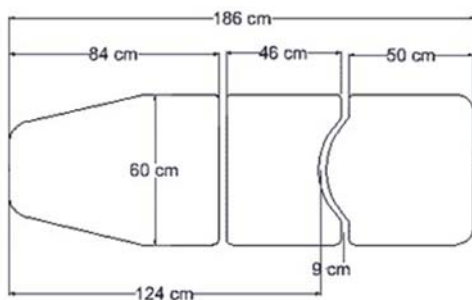
Product Code: **GY50.06021.FEE00F.00W10**

Standard Configuration	Factory Fitted Options
600mm wide upholstery	700mm wide upholstery
No Battery	Add Battery

Accessories	
Gynaecological under-knee supports	
Gas lift stool upholstered to match your couch	

Detailed Standard Specification

Chair Dimensions	Backrest section	840mm long
	Seat section	460mm long
	Leg section	500mm long removable
	Overall Length	1860 with extension piece
	Width	600mm [+ arms total 760mm]
Upholstery Angle adjustment	Seat Tilt & Backrest	Electric
	Leg rest	Removable
Upholstery	Fabric	Vinyl – Medical grade heavy duty vinyl fabric. Formulated to inhibit hardening and breakdown of the PVC surface due to perspiration and oils. Light fast, fire retardant, sanitised and stain resistant.
	Foam	38mm high density foam rolled over the edges of the strong plywood base providing a full working width and extended life with firm support.
	Colours	Wedgewood. Other colours on request
Frame	Materials	Heavy steel plate and tube
	Colour	Light Grey
	Wheel System	Single action retractable castors for ease of movement and 'on-the-floor' stability in use. Levelling foot on one corner.
Height adjustment	Lift mechanism	Cantilever single leg long swing arm
	Lift operation	Linak brand European electric actuator
	Control	Foot control
Electrical Requirements		Medically approved to AS 3200 / EN60601 - 1
	Supply	230vAC $\pm 10^\circ$, 50hz max 1.5amp
	Operation	24vDC max 70VA
Lifting Capacity		325kg
Weight		95kg
Shipping Dimensions		170 x 80 x 65cm / 110kg. Packed on a wooden pallet with foam & cardboard cover
ARTG No		123754
Warranty		5 years, parts only



ABCO Health Care is a specialist manufacturer of electrically operated couches, tables and chairs for health care applications.

This brochure shows only part of our extensive range. Please visit our web site at www.abcohc.com.au

ABCO Health Care has a policy of continuous improvement. All specifications and prices are subject to change without notice.

ABCO Health Care Pty Ltd

A.B.N. 71 073 519 356

Australian Designed, Made and Owned.

3-7 Discovery Road, Dandenong South
Victoria 3175, Australia

Phone +61 03 97683756

E-mail: sales@abcohc.com.au