

## ABCO Massage C Table with Centre Lift



Shown with optional braked castors

The ABCO Massage C Treatment Table with Centre Lift is designed and manufactured in Australia to meet the specific requirements of Natural Therapists.

The 'twin column' base design provides a safe experience for both therapist and patient by:

- Providing a much more rigid working surface without 'end-bounce' over the full height range.
- Eliminating lengthwise movement during height adjustment.
- Improving the safety of the couch as there are far fewer pinch points where stray fingers or limbs may be caught.
- Enhances treatment by moving quickly and quietly as required

The electric centre lift function adjusts quickly and quietly to the perfect position for patient and treatment.



The gas-strut powered head section has removable prone arm rest and head crest. Premium upholstery cushioning is comfortable for patients while providing excellent support for treatment.

Customise your table to match your preferred configuration.

While the lifting capacity of more than 300kg may rarely be required, the robust structure required to support this capacity ensures a long, trouble-free life.

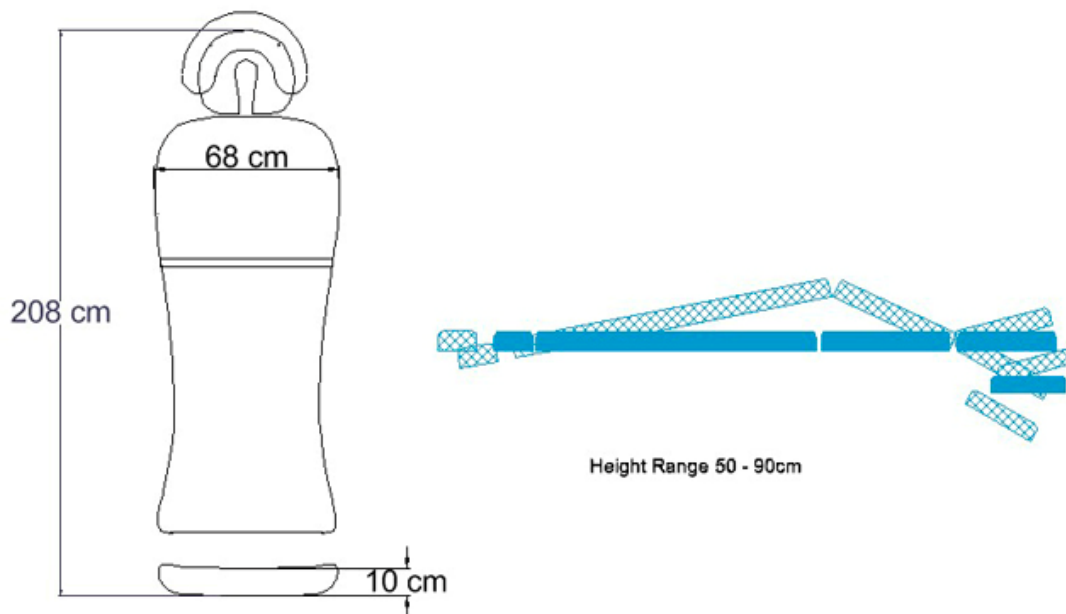
Product Code: **MS70.06871.C0E0GF0.10WPO**

Standard Configuration	Factory Fitted Options
680mm wide Upholstery	630mm
	730mm
Base Plate without wheels	75mm braked castors
	Retractable castors
Foot control	Hand control
	Twin foot or hand control
Under head prone arm rest	Multifunctional prone arm rests
	Add Battery

Accessories		
Supine Head Pad		
Gas lift stool upholstered to match your couch		

## Detailed Standard Specification

Table sections	Head section	340mm long
	Top section	600mm long
	Lower section	800mm long
	Leg extension	100mm long – extends 200mm
	Overall Length	1880mm [2080mm with leg rest extended]
Upholstery Angle adjustment	Centre lift	Electric
Upholstery	Head section	Gas strut assisted
	Fabric	Vinyl – Medical grade heavy duty vinyl fabric. Formulated to inhibit hardening and breakdown of the PVC surface due to perspiration and oils. Light fast, fire retardant, sanitised and stain resistant.
	Foam	50mm premium medium density foam on a strong plywood base covered with 12mm soft foam for enhanced patient comfort
	Colours	Wedgewood. Other colours on request
Frame	Materials	Heavy steel plate and tube
	Colour	Light Grey
	Wheel System	Plate base or optional castors..
Height adjustment	Height range	500 – 900mm
	Lift mechanism	Two column for extra strength and safety with no longitudinal shift as height adjusts
	Lift operation	Linak brand European electric columns
	Control	Foot control
Electrical Requirements		Medically approved to AS 3200 / EN60601 - 1
	Supply	230vAC $\pm 10^\circ$ , 50hz max 1.5amp
	Operation	24vDC max 70VA
Lifting Capacity		300+kg
Weight		80kg
Shipping Dimensions		197 x 75 x 65cm / 95kg. Shrink-wrapped on a wooden pallet
ARTG No		123753
Warranty		5 years, parts only



ABCO Health Care is a specialist manufacturer of electrically operated couches, tables and chairs for health care applications.

This brochure shows only part of our extensive range. Please visit our web site at [www.abcohc.com.au](http://www.abcohc.com.au)

ABCO Health Care has a policy of continuous improvement. All specifications and prices are subject to change without notice.

**ABCO Health Care Pty Ltd**

A.B.N. 71 073 519 356

Australian Designed, Made and Owned.

3-7 Discovery Road, Dandenong South  
Victoria 3175, Australia

Phone +61 03 97683756

E-mail: [sales@abcohc.com.au](mailto:sales@abcohc.com.au)