

**ABCO Neurological [Bobath] Couch**



Single section Neurological Couch

The ABCO Neurological Couch is designed and manufactured in Australia.

With wider base and lifting geometry for increased stability the ABCO Neurological Couch is available in 1, 2 or 3 section configuration.

The height range of 450 - 950mm makes access simple for patients and a comfortable working height is easily set using the foot control.



Three optional breathe holes with plugs [standard on the two section option] make positioning patients easy and the backrest is electrically operated for safety.

There is clearance of 155mm below the base frame to allow patient hoist access.

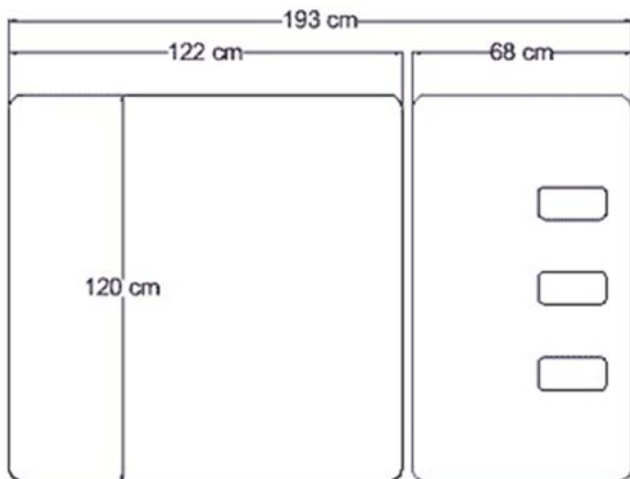
Product Code Two Section: **NE20.12021.EE000F.30H10**

Product Code One Section: **NE10.12021.E0000F.00H10**

Standard Configuration	Factory Fitted Options
1200mm wide upholstery	1100mm wide upholstery
	1000mm wide upholstery
High Retractable castors [155mm clearance for hoists]	125mm braked castors [155mm clearance for hoists]
3 breathe holes in backrest [standard on 2 section only]	No breathe holes
	Add Breathe hole with Plug
200kg lifting capacity	Increase to 350kg [halves lifting time]
Foot control	Hand control
	Twin foot or hand control
	Add Battery

Accessories	
Upholstered Cot Side	
Gas lift stool with back upholstered to match your couch	

Detailed Standard Specification [2 Section]		
Couch Dimensions	Backrest	680mm long. Three breathe holes with plugs.
	Main Section	1220mm long
	Overall length	1930mm
	Width	1200mm
Upholstery Angle adjustment	Backrest	Electric
Upholstery	Fabric	Vinyl – Medical grade heavy duty vinyl fabric. Formulated to inhibit hardening and breakdown of the PVC surface due to perspiration and oils. Light fast, fire retardant, sanitised and stain resistant.
	Foam	38mm high density foam rolled over the edges of the strong plywood base covered with 12mm of soft foam for enhanced comfort while providing a full working width and extended life.
	Colours	Wedgewood, <a href="#">other colours on request.</a>
Frame	Materials	Heavy steel plate and tube
	Colour	Light Grey
	Wheel System	Single action retractable castors for ease of movement and 'on-the-floor' stability in use. Levelling foot on one corner.
Height Adjustment	Range	450 - 950mm
	Lift mechanism	Two leg swing arm
	Lift operation	Linak brand European electric actuator
	Control	Foot control
Electrical Requirements		Medically approved to AS 3200 / EN60601 - 1
	Supply	230vAC ±10%, 50hz max 1.5amp
	Operation	24vDC max 70VA
Lifting Capacity		200kg
Weight		85kg
Shipping Dimensions		197 x 123 x 60cm / 100kg. Shrink-wrapped on a wooden pallet with bubble wrap
ARTG No		123753
Warranty		5 years, parts only



Height Range 45 - 95

ABCO Health Care is a specialist manufacturer of electrically operated couches, tables and chairs for health care applications.

This brochure shows only part of our extensive range. Please visit our web site at [www.abcohc.com.au](http://www.abcohc.com.au)

ABCO Health Care has a policy of continuous improvement. Specifications and prices are subject to change without notice.

**ABCO Health Care Pty Ltd**

A.B.N. 71 073 519 356

Australian Designed, Made and Owned.

NE00 1707.docx

3 – 7 Discovery Road,  
Dandenong South VIC 3175 Australia  
Phone +61 03 9768 3756  
E-mail: [sales@abcohc.com.au](mailto:sales@abcohc.com.au)