

ABCO P20 Podiatry Chair

The ABCO P20 Podiatry Chair is designed and manufactured in Australia with a 5-year warranty



While this chair will also extend to work as a horizontal couch, it is primarily a comfortable, easily accessible chair. This is achieved through an integrated seat and backrest where, as the backrest lifts, the seat section progressively reclines to -11° .

Height, seat tilt / backrest and leg rest are electrically operated by foot control

The single column lifts 150kg with ease and;



- Eliminates lengthwise movement during height adjustment.
- Improves the safety of the chair as there are far fewer pinch points where stray fingers or limbs may be caught.
- Enhances treatment by moving quickly and quietly as required



The minimum entry height of 500mm makes access easy for all while the maximum heel height of 830mm makes it more suitable to work seated

Product Code: **PO230.05521.CE0E0F0.003PO**

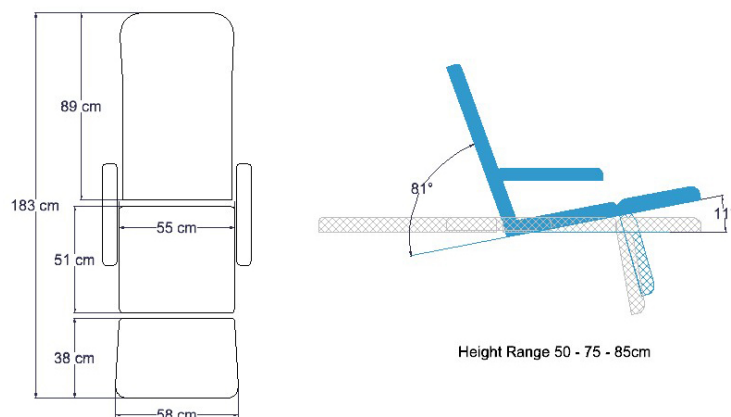
Standard Configuration	Factory Fitted Options
No Breathe hole	Breathe hole with plug in backrest
Wedgewood upholstery	Other standard colours

Accessories	
Adjustable debris tray assembly	
Gas lift stool with back upholstered to match your couch	

Detailed Standard Specification		
Chair Dimensions	Backrest	890mm long
	Seat	510mm long
	Leg	380mm long
	Overall Length	1860mm
	Width	Seat 550mm. Leg rest 580mm [with Arm rests total 720mm]
Upholstery Angle adjustment		Electric actuators with foot control
Upholstery	Fabric	Vinyl – Medical grade heavy duty vinyl fabric. Formulated to inhibit hardening and breakdown of the PVC surface due to perspiration and oils. Light fast, fire retardant, sanitised and stain resistant.
	Foam	50mm medium density comfort foam on a strong plywood base providing a full working width and extended life.
	Colours	Wedgewood. Other colours on request
Frame	Materials	Heavy steel plate and tube
	Colour	Light Grey
	Wheel System	75mm lockable castors
Height adjustment	Range	500 – 750 – 830mm
	Lift mechanism	Single column
	Lift operation	Genuine Linak brand European electric column
	Control	Foot control
Electrical Requirements		Medically approved to AS 3200 / EN60601 - 1
	Supply	230vAC $\pm 10^\circ$, 50hz max 1.5amp
	Operation	24vDC max 70VA
Lifting Capacity		150kg
Weight		80kg
Shipping Dimensions		170 x 80 x 65cm / 100kg. Shrink-wrapped on a wooden pallet with bubble wrap
ARTG No		123754
Warranty		5 years, parts only

ABCO Health Care is a specialist manufacturer of electrically operated couches, tables and chairs for health care applications.

This brochure shows only part of our extensive range. Please visit our web site at www.abcohc.com.au



ABCO Health Care has a policy of continuous improvement. Specifications and prices are subject to change without notice.

ABCO Health Care Pty Ltd

A.B.N. 71 073 519 356

Australian Designed, Made and Owned.

3 – 7 Discovery Road,
Dandenong South VIC 3175 Australia

Phone +61 03 9768 3756

E-mail: sales@abcohc.com.au