

ABCO P55 Podiatry Chair



The ABCO P55 Podiatry Chair is designed and manufactured in Australia

The fast electric motor quickly adjusts the height from an easily accessed 500mm up to 1750mm maximum heel height with 30° seat tilt making this chair suitable for taller practitioners who wish to stand while working

The P55 is designed for bigger patients and will lift up to 325kg




A 150mm leg extension allows for taller patients

Electric actuators control the seat tilt and the backrest angle with gas strut control of the leg rest.

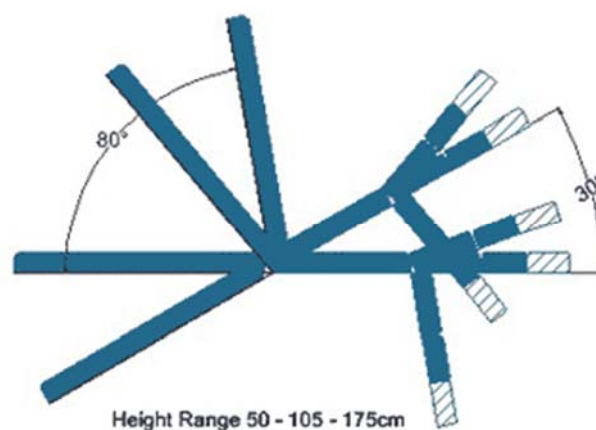
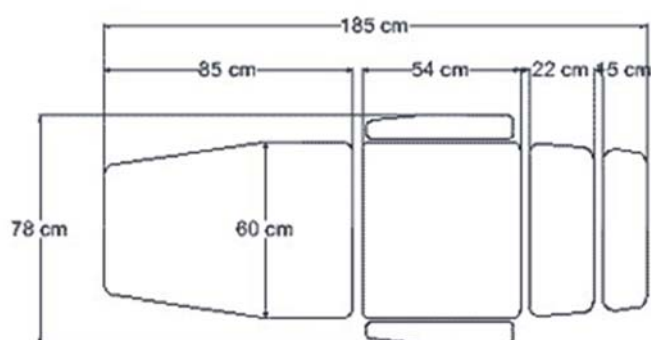


Product Code: **PO50.06021.FEEOGF.01W10**

Standard Configuration	Factory Fitted Options
600mm wide upholstery	700mm wide upholstery
Wedgewood upholstery	Other standard colours
	Other vinyl fabrics
	Leather
No Breathe hole	Breathe hole with plug in long section
Full width leg rest	Split leg rest without extension
No Battery	Add battery

Accessories	
Replacement plastic foot rest cover	
Adjustable debris tray assembly [not available with split legs]	
Gas lift stool with back upholstered to match your couch	

Detailed Standard Specification		
Chair Dimensions	Backrest	840mm long
	Seat	500mm long
	Leg	370mm long including a 150mm extending section
	Overall Length	1780 - 1930mm
	Width	600mm [+Arm rests. Total 760mm]
Upholstery Angle adjustment	Seat Tilt & Backrest	Electric actuators with foot control
	Leg rest	Gas strut assistance
Upholstery	Fabric	Vinyl – Medical grade heavy duty vinyl fabric. Formulated to inhibit hardening and breakdown of the PVC surface due to perspiration and oils. Light fast, fire retardant, sanitised and stain resistant.
	Foam	38mm high density foam rolled over the edges of the strong plywood base providing a full working width and extended life with firm support.
	Colours	Wedgewood. Other colours on request
Frame	Materials	Heavy steel plate and tube
	Colour	Light Grey
	Wheel System	Single action retractable castors for ease of movement and 'on-the-floor' stability in use. Levelling foot on one corner.
Height adjustment	Range	500 – 1050 – 1750mm
	Lift mechanism	Cantilever single leg long swing arm
	Lift operation	Linak brand European electric actuator
	Control	Foot control
Electrical Requirements		Medically approved to AS 3200 / EN60601 - 1
	Supply	230vAC $\pm 10^\circ$, 50hz max 1.5amp
	Operation	24vDC max 70VA
Lifting Capacity		325kg
Weight		95kg
Shipping Dimensions		170 x 80 x 65cm / 110kg. Shrink-wrapped on a wooden pallet with bubble wrap
ARTG No		123754
Warranty		5 years, parts only



ABCO Health Care is a specialist manufacturer of electrically operated couches, tables and chairs for health care applications.

This brochure shows only part of our extensive range. Please visit our web site at www.abcohc.com.au

ABCO Health Care has a policy of continuous improvement. Specifications and prices are subject to change without notice.

ABCO Health Care Pty Ltd

A.B.N. 71 073 519 356

Australian Designed, Made and Owned.

3 – 7 Discovery Road,
Dandenong South VIC 3175 Australia

Phone +61 03 9768 3756

E-mail: sales@abcohc.com.au