

ABCO T1000 Treatment Chair



Designed for Chemotherapy, Dialysis and other treatments where comfort is paramount, this chair is designed for long periods of sitting.

Pre-programmed Entry/Exit and Emergency CPR positions

Trendelenburg -12°

Fully electric height, tilt, backrest and leg rest with 2 separate Nurse and Patient hand controls.

Self levelling, swing back armrests.

The seat height range is 480mm-880mm + seat tilt


The powerful twin column lift ensures no lengthwise movement during height adjustment.

200kg lifting capacity

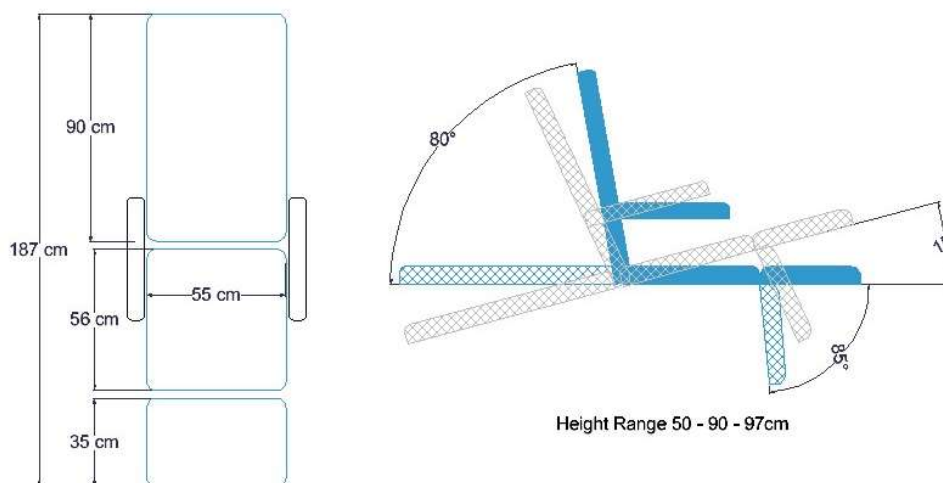
100mm Medical castors for easy moving all with directional and total lock standard.

Product Code: **TE1000.05581.CEEE0H0.004P0**

Standard Configuration	Factory Fitted Options
No battery	Add Battery

Accessories	
Gas lift stool upholstered to match your chair	

Detailed Standard Specification		
Chair Dimensions	Backrest	900mm long
	Seat	560mm long
	Leg	350mm long
	Overall Length	1870mm
	Width	670mm [+Arm rests. Total 970mm]
Upholstery Angle adjustment		Electric actuators with foot control
Upholstery	Fabric	Vinyl – Medical grade heavy duty vinyl fabric. Formulated to inhibit hardening and breakdown of the PVC surface due to perspiration and oils. Light fast, fire retardant, sanitised and stain resistant.
	Foam	100mm comfort foam on a strong plywood base providing a full working width and extended life.
	Colours	Wedgewood. Other colours on request
Frame	Materials	Heavy steel plate and tube
	Colour	Light Grey
	Wheel System	125mm Medi-Castors
Height adjustment	Range	500 – 900
	Lift mechanism	Twin column
	Lift operation	Linak brand European electric actuator
	Control	Foot control
Electrical Requirements		Medically approved to AS 3200 / EN60601 - 1
	Supply	230vAC $\pm 10\%$, 50hz max 1.5amp
	Operation	24vDC max 70VA
Lifting Capacity		250kg
Weight		110kg
Shipping Dimensions		170 x 80 x 75cm / 120kg. Shrink-wrapped on a wooden pallet with bubble wrap
ARTG No		123754
Warranty		5 years, parts only



ABCO Health Care is a specialist manufacturer of electrically operated couches, tables and chairs for health care applications.

This brochure shows only part of our extensive range. Please visit our web site at www.abcohc.com.au

ABCO Health Care has a policy of continuous improvement. Specifications and prices are subject to change without notice.

ABCO Health Care Pty Ltd

A.B.N. 71 073 519 356

Australian Designed, Made and Owned.

TE10 1707.docx

3 – 7 Discovery Road,
Dandenong South VIC 3175 Australia
Phone +61 03 9768 3756
E-mail: sales@abcohc.com.au