

ABCO Dynamic Dual Action Tilt Table



ABCO Health Care's new Dynamic Tilt Table is available in a range of configurations to optimise patient care and outcomes. It is designed and manufactured in Australia based on our popular Dual Action Tilt Table available since 1997. Therapeutic Tilt Tables are primarily used in the acute phase of rehabilitation following trauma [eg Spinal Cord Injury or Traumatic Brain Injury], in ICU's, for functional rehabilitation of handicapped or disabled patients and in cardiac assessments.

By using a twin column lift we are able to achieve a more powerful lifting function without lengthwise movement during height adjustment. As a bonus, we have been able to design a table structure which has fewer places where hands or limbs could be crushed.

It was developed to permit easy transfers to the tilt table independently, from a wheel chair or with a hoist [there is 155mm clearance below the frame for hoist clearance]. Carers can adjust the working height to the best level for them [up to 750mm] using the hand control.

The long cut-out in the leg area allows for individual strapping of the legs as required – a set of three patient straps is supplied as standard.

The table top tilts to 80° and patients can safely walk on and off the table if appropriate taking advantage of the adjustable angle foot plate [± 30 deg in 5° steps]. Two angle indicators, one on either side of the table, are also a standard accessory.

Lifting capacity is 350kg and tilting capacity is 200kg

Whether used in a Rehabilitation setting or at a patient's bedside, the Dynamic Tilt Table can improve patient recovery rates while reducing risks to carers.

This is achieved through progressive partial weight bearing exercises using the sliding top on the tilt table which can significantly strengthen deconditioned lower extremities.

Repeated exercise on the Dynamic Tilt Table

allows physical progress to be assessed in an objective manner.

Patient handling causes many injuries to health care workers and the use of a Dynamic Tilt Table overcomes the need to move patients out of bed on to the floor for weight bearing exercise critical for their recovery.

Simply transfer the patient to the table, raise the backrest slightly for comfort and resistance, remove the insert, release the lock and your patient is ready to exercise with the level of resistance controlled by the angle of the table.


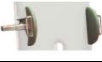


The ABCO Health Care Dynamic Tilt Table is built to handle patients weighing up to 350kgs.

Moving the table to a patient's bedside reduces patient discomfort and the costs of transfers. The 125mm lockable castors make moving the table effortless.

There is no Australian GST payable on Tilt Tables.

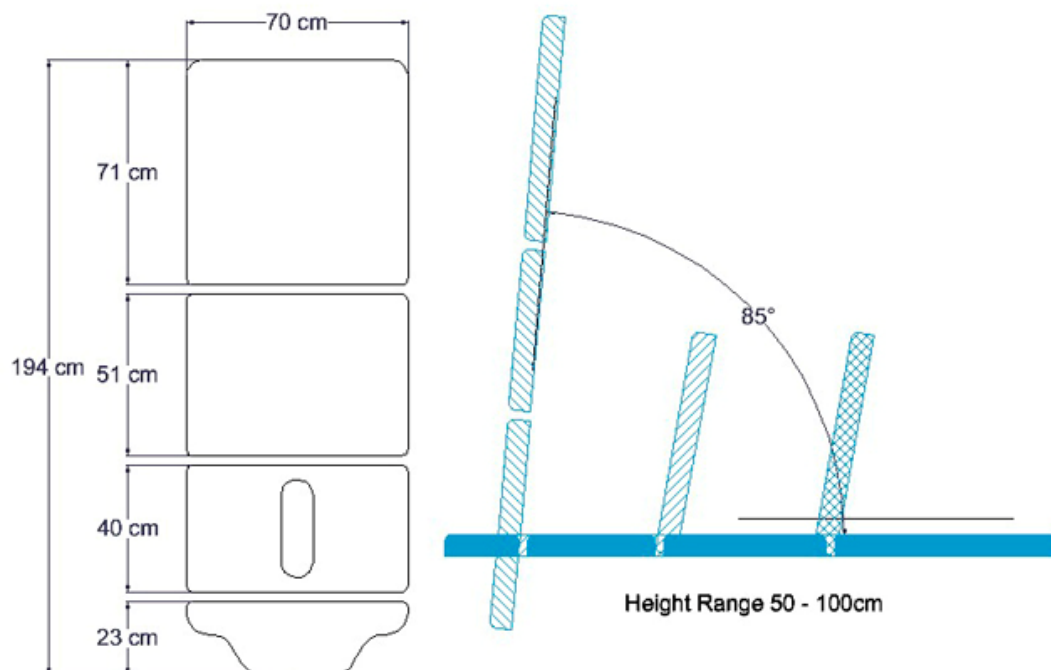
Product Code: **TY400.07021.CEE00H0.005P0**

Standard Configuration	Factory Fitted Options
200kg Tilting Capacity	300kg [halves lifting time]
Hand control	Foot control
	Twin foot or hand control
Split foot plate	Single section foot plate

Accessories	
Adjustable Work Surface	
Torso wedge / Lateral support [per side]	
Replacement patient strap set	
Gas lift stool upholstered to match your couch	

Detailed Standard Specification

Couch Dimensions	Main Section	1750mm long
	Overall Length	1950mm
	Width	710mm
Upholstery Angle adjustment	Tilt and Backrest	Electric
Upholstery	Fabric	Vinyl – Medical grade heavy duty vinyl fabric. Formulated to inhibit hardening and breakdown of the PVC surface due to perspiration and oils. Light fast, fire retardant, sanitised and stain resistant.
	Foam	38mm high density foam rolled over the edges of the strong plywood base covered with 12mm of soft foam for enhanced comfort while providing a full working width and extended life.
	Colours	Wedgewood. Other colours on request
Frame	Materials	Heavy steel plate and tube
	Colour	Light Grey powder-coat
	Wheel System	125mm braked castors [155mm clearance for hoists]
Height adjustment	Range	500 – 1000mm
	Lift mechanism	Twin column for extra strength and safety with no longitudinal shift as height adjusts
	Lift operation	Linak brand European electric columns
Electrical Requirements	Control	Hand control
		Medically approved to AS 3200 / EN60601 - 1
	Supply	230vAC $\pm 10^\circ$, 50hz max 1.5amp
	Operation	24vDC max 70VA
Lifting Capacity		300kg
Tilting Capacity		200kg
Weight		90kg
Shipping Dimensions		197 x 82 x 60cm / 95kg. Shrink-wrapped on a wooden pallet with bubble wrap
ARTG No		123753
Warranty		5 years, parts only



ABCO Health Care is a specialist manufacturer of electrically operated couches, tables and chairs for health care applications.

This brochure shows only part of our extensive range. Please visit our web site at www.abcohc.com.au

ABCO Health Care has a policy of continuous improvement. Specifications and prices are subject to change without notice.

ABCO Health Care Pty Ltd

A.B.N. 71 073 519 356

Australian Designed, Made and Owned.

TY40 1703.docx

3 – 7 Discovery Road,
Dandenong South VIC 3175 Australia

Phone +61 03 9768 3756

E-mail: sales@abcohc.com.au