

**ABCO 3 Section Physiotherapy Treatment Table**

The ABCO 3 section Physiotherapy Couch can also be used in a multidisciplinary practice. eg. for visiting physiotherapists or podiatrist The ABCO Physiotherapy Treatment Table is designed and manufactured in Australia.



The three ergonomically sized sections allow for more flexibility in use as the upholstery sections match the major portions of the human anatomy. There is a breathe hole with plug in the head / short section.





Recognising the need for a firm surface, we use a single layer of high density foam without a soft over-layer which enhances treatment outcomes particularly with deep tissue work.

The retractable wheel system makes moving the couch easy without compromising stability in use.

The ABCO 3 section Physiotherapy Couch can also be used in a multidisciplinary practice. eg. for visiting podiatrists.

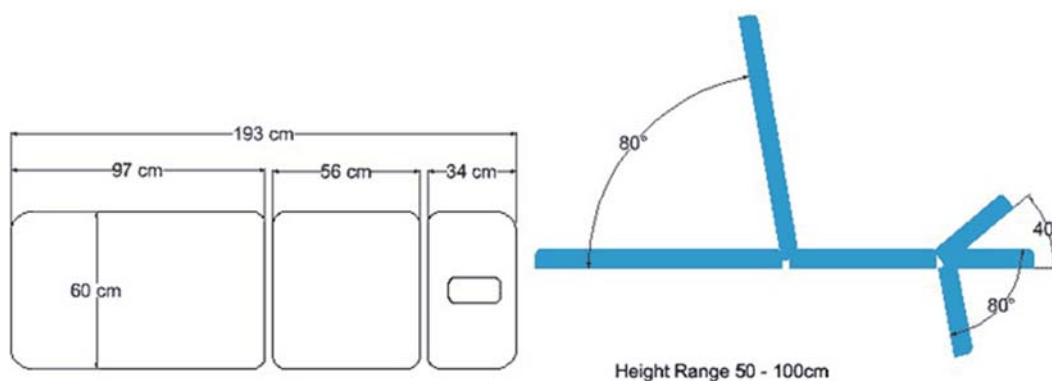
Product Code: **MN30.06011.EM000MF.10W10**

Standard Configuration	Factory Fitted Options
600mm wide Upholstery	700mm
Retractable castors	75mm braked castors
200kg Lifting Capacity	350kg [halves lifting time]
Manual Upholstery adjustment	Electric Backrest / Long section [with hand control]
	Electric Backrest / Long section [with foot control]
	Add electric Postural Drainage / Centre Lift
	Other configurations
Foot control	Hand control
	Twin foot or hand control
Breathe hole with plug in Head / short section	Add Breathe Hole with plug in Long section
	Add Height adjustable prone arm rests
	Add Battery
	Add Paper Towel Roll [600mm] Holder

Accessories	
Gynaecological under-knee supports	
Height adjustable / removable arm rests	
Treatment Arm Board	
Gas lift stool upholstered to match your couch	

## Detailed Standard Specification

Couch Dimensions	Head section	340mm long
	Centre section	560mm long
	Long section	960mm long
	Overall length	1930mm
	Width	600mm
Upholstery Angle Adjustment	Head & Long sections	Manual [rods through plates]
Upholstery	Fabric	Vinyl – Medical grade heavy duty vinyl fabric. Formulated to inhibit hardening and breakdown of the PVC surface due to perspiration and oils. Light fast, fire retardant, sanitised and stain resistant.
	Foam	38mm high density foam rolled over the edges of the strong plywood base providing a full working width and extended life with firm support.
	Colours	Wedgewood. <a href="#">Other colours on request</a>
Frame	Materials	Heavy steel plate and tube
	Colour	Light Grey
	Wheel System	Single action retractable castors for ease of movement and 'on-the-floor' stability in use. Levelling foot on one corner.
Height adjustment	Range	500 - 1000mm
	Lift mechanism	Two leg swing arm
	Lift operation	Linak brand European electric actuator
	Control	Foot control
Electrical Requirements		Medically approved to AS 3200 / EN60601 - 1
	Supply	230vAC ±10%, 50hz max 1.5amp
	Operation	24vDC max 70VA
Lifting Capacity		200kg
Weight		75kg
Shipping Dimensions		170 x 63 x 65cm / 90kg. Shrink-wrapped on a wooden pallet with bubble wrap
ARTG No		123753
Warranty		5 years, parts only



ABCO Health Care is a specialist manufacturer of electrically operated couches, tables and chairs for health care applications.

This brochure shows only part of our extensive range. Please visit our web site at [www.abcohc.com.au](http://www.abcohc.com.au)

ABCO Health Care has a policy of continuous improvement. Specifications and prices are subject to change without notice.

**ABCO Health Care Pty Ltd**

A.B.N. 71 073 519 356

Australian Designed, Made and Owned.

MN30 1707.docx

3 – 7 Discovery Road,  
Dandenong South VIC 3175 Australia  
Phone +61 03 9768 3756  
E-mail: [sales@abcohc.com.au](mailto:sales@abcohc.com.au)