

ABCO P35 Podiatry Chair



The ABCO P35 Podiatry Chair is designed and manufactured in Australia.

As a flexible general purpose chair for podiatry and similar treatments, this chair has electric height, tilt, backrest and leg rest with a foot control that includes pre-set buttons for entry and horizontal configurations

The seat height range is 500 – 900mm with maximum heel height of 970mm

The powerful twin column lift mechanism


- Provides a much more rigid working surface without 'end-bounce' over the full height range.
- Eliminates lengthwise movement during height adjustment.
- Improves the safety of the chair as there are far fewer pinch points where stray fingers or limbs may be caught.
- Enhances treatment by moving quickly and quietly as required

200kg lifting capacity

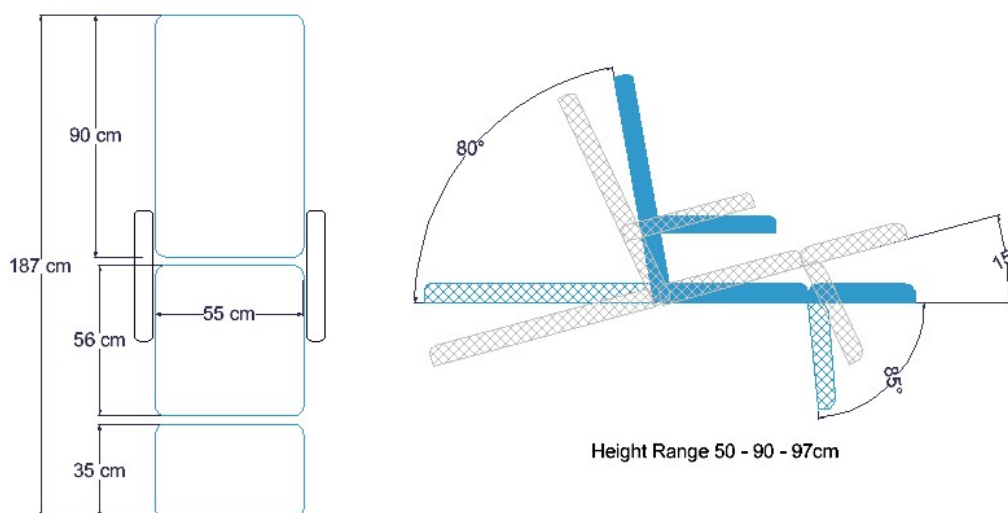
Optional upgrades include braked castors and battery.

Product Code: **PO350.05581.CEEEE0F0.00NPO**

Standard Configuration	Factory Fitted Options
Wedgewood upholstery	Other standard colours
	Other vinyl fabrics
	Leather
Base plate	Retractable castors
	Braked castors
No Battery	Add battery

Accessories	
Gas lift stool with back upholstered to match your couch	

Detailed Standard Specification		
Chair Dimensions	Backrest	900mm long
	Seat	560mm long
	Leg	350mm long
	Overall Length	1870mm
	Width	550mm [+ Arm rests. Total 700mm]
Upholstery Angle adjustment		Electric actuators with foot control
Upholstery	Fabric	Vinyl – Medical grade heavy duty vinyl fabric. Formulated to inhibit hardening and breakdown of the PVC surface due to perspiration and oils. Light fast, fire retardant, sanitised and stain resistant.
	Foam	75mm medium density comfort foam on a strong plywood base providing a full working width and extended life.
	Colours	Wedgewood. Other colours on request
Frame	Materials	Heavy steel plate and tube
	Colour	Light Grey
	Wheel System	Base plate for maximum stability and ease of cleaning
Height adjustment	Range	500 – 900 – 970mm
	Lift mechanism	Twin column
	Lift operation	Linak brand European electric actuator
	Control	Foot control
Electrical Requirements		Medically approved to AS 3200 / EN60601 - 1
	Supply	230vAC $\pm 10^\circ$, 50hz max 1.5amp
	Operation	24vDC max 70VA
Lifting Capacity		200kg
Weight		100kg
Shipping Dimensions		170 x 80 x 65cm / 110kg. Shrink-wrapped on a wooden pallet with bubble wrap
ARTG No		123754
Warranty		5 years, parts only



ABCO Health Care is a specialist manufacturer of electrically operated couches, tables and chairs for health care applications.

This brochure shows only part of our extensive range. Please visit our web site at www.abcohc.com.au

ABCO Health Care has a policy of continuous improvement. Specifications and prices are subject to change without notice.

ABCO Health Care Pty Ltd

A.B.N. 71 073 519 356

Australian Designed, Made and Owned.

PO35 1703.docx

3 – 7 Discovery Road,
Dandenong South VIC 3175 Australia
Phone +61 03 9768 3756
E-mail: sales@abcohc.com.au