

ABCO T35 Treatment Chair



Optional Two Tone Upholstery



The ABCO T35 Treatment Chair is designed and manufactured in Australia.

As a flexible general purpose chair for a range of treatments, this chair has electric height, tilt, backrest and leg rest with a hand control that includes pre-set buttons for entry and horizontal configurations

The seat height range is 500 – 900mm

The powerful twin column lift mechanism

- Provides a much more rigid working surface without 'end-bounce' over the full height range.
- Eliminates lengthwise movement during height adjustment.
- Improves the safety of the chair as there are far fewer pinch points where stray fingers or limbs may be caught.
- Enhances treatment by moving quickly and quietly as required

250kg lifting capacity

125mm Medi-Castors suitable for patient transport

Optional upgrades include fully adjustable articulating headrest and battery.

Product Code: **TE350.05581.CEEE0H0.004PO**

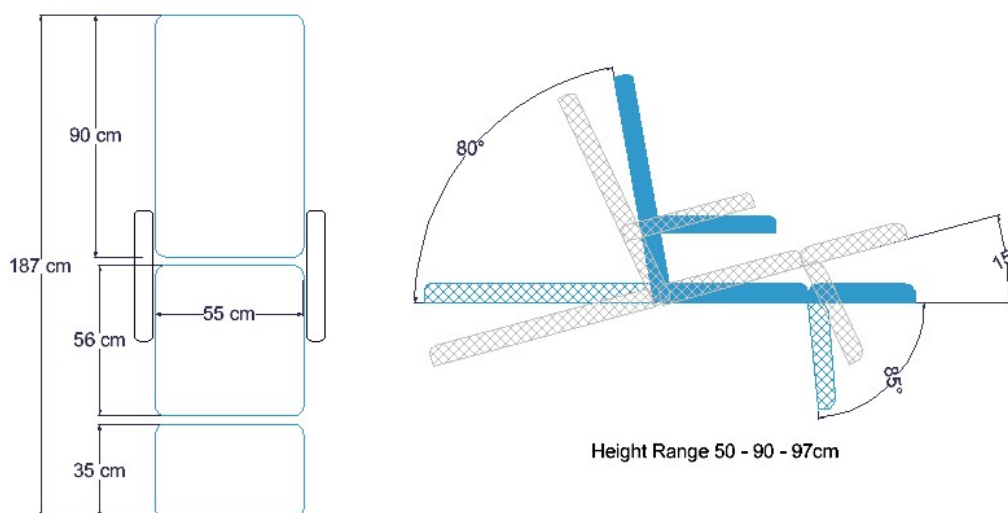
Standard Configuration	Factory Fitted Options
600mm wide upholstery	700mm wide upholstery
Wedgewood upholstery	Other standard colours
	Other vinyl fabrics
	Leather
125mm Medi-Castors	Base plate without wheels
	Retractable castors
	Braked castors
Hand Control	Foot Control
	Hand and foot controls
Standard Backrest	Fully articulating headrest
	Pillow
	Add battery
	Add breathe hole in backrest

Accessories

Gas lift stool with back upholstered to match your couch



Detailed Standard Specification		
Chair Dimensions	Backrest	900mm long
	Seat	560mm long
	Leg	350mm long
	Overall Length	1870mm
	Width	550mm [+ Arm rests. Total 700mm]
Upholstery Angle adjustment		Electric actuators with foot control
Upholstery	Fabric	Vinyl – Medical grade heavy duty vinyl fabric. Formulated to inhibit hardening and breakdown of the PVC surface due to perspiration and oils. Light fast, fire retardant, sanitised and stain resistant.
	Foam	75mm comfort foam on a strong plywood base providing a full working width and extended life.
	Colours	Wedgewood. Other colours on request
Frame	Materials	Heavy steel plate and tube
	Colour	Light Grey
	Wheel System	125mm Medi-Castors
Height adjustment	Range	500 – 900
	Lift mechanism	Twin column
	Lift operation	Linak brand European electric actuator
	Control	Foot control
Electrical Requirements		Medically approved to AS 3200 / EN60601 - 1
	Supply	230vAC \pm 10°, 50hz max 1.5amp
	Operation	24vDC max 70VA
Lifting Capacity		200kg
Weight		100kg
Shipping Dimensions		170 x 80 x 65cm / 110kg. Shrink-wrapped on a wooden pallet with bubble wrap
ARTG No		123754
Warranty		5 years, parts only



ABCO Health Care is a specialist manufacturer of electrically operated couches, tables and chairs for health care applications.

This brochure shows only part of our extensive range. Please visit our web site at www.abcohc.com.au

ABCO Health Care has a policy of continuous improvement. Specifications and prices are subject to change without notice.

ABCO Health Care Pty Ltd

A.B.N. 71 073 519 356

Australian Designed, Made and Owned.

TE35 1707.docx

3 – 7 Discovery Road,
Dandenong South VIC 3175 Australia
Phone +61 03 9768 3756
E-mail: sales@abcohc.com.au